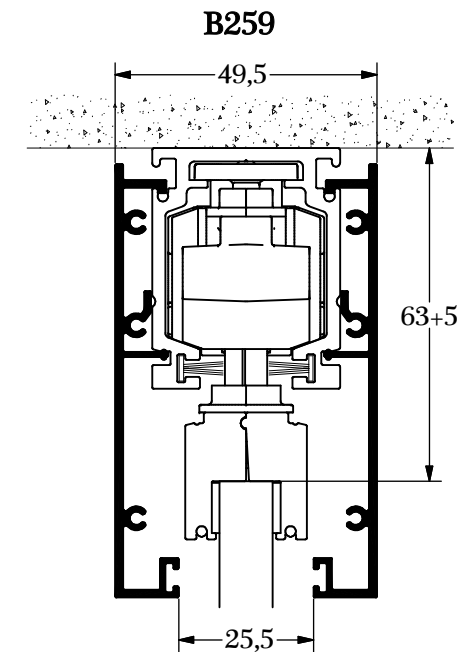
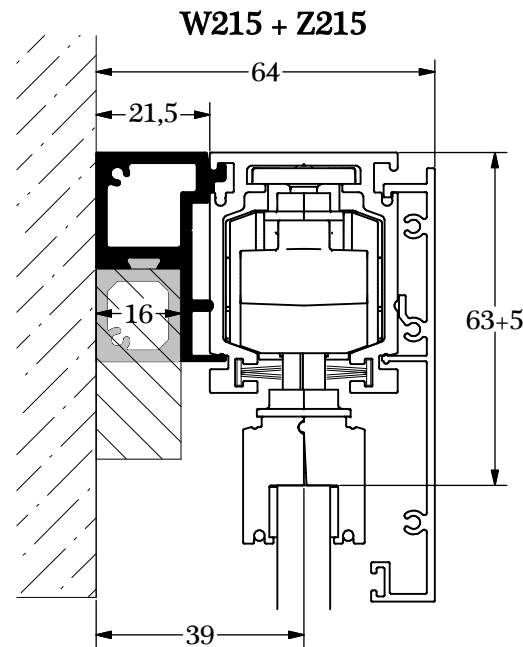
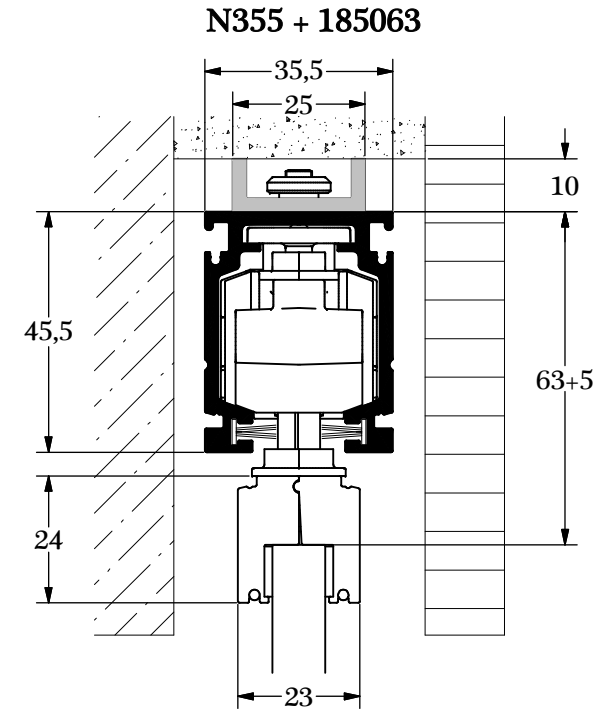
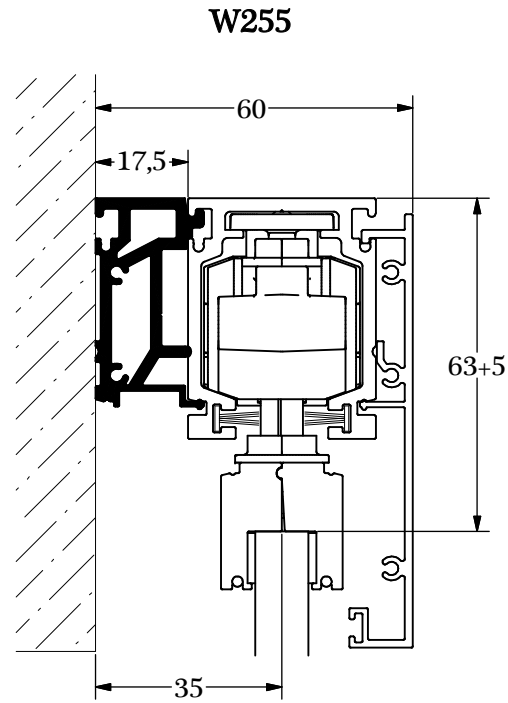
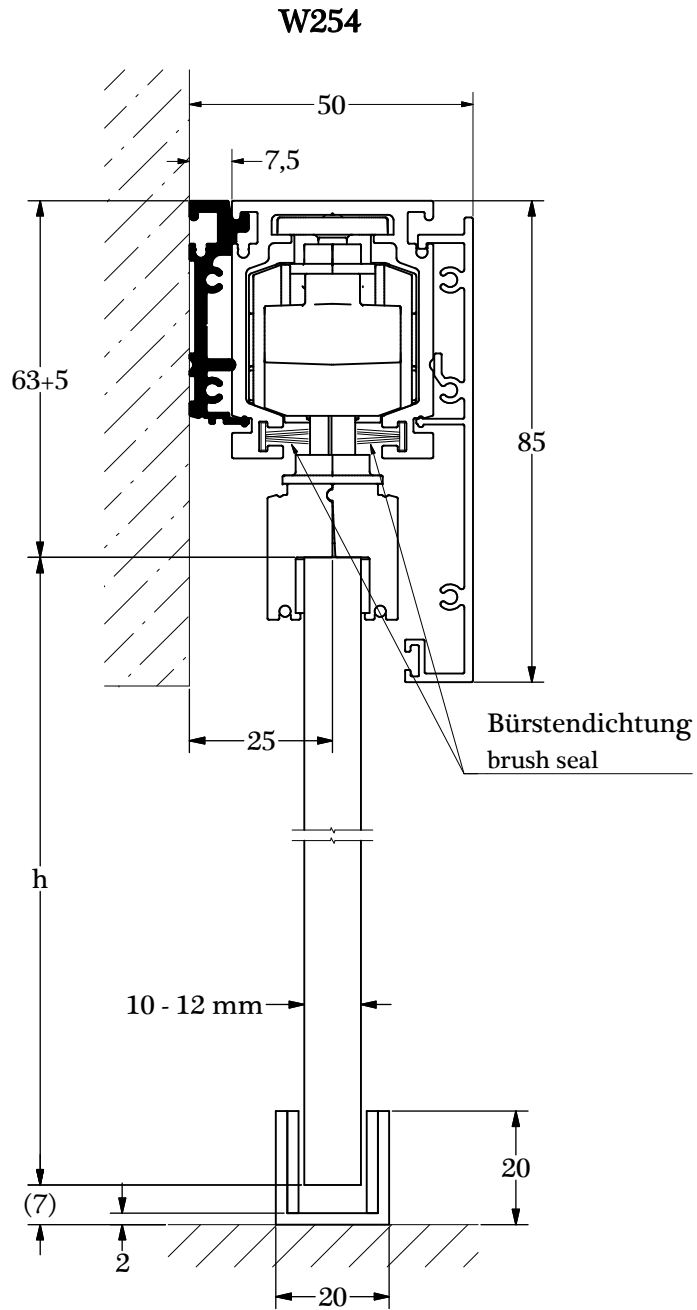
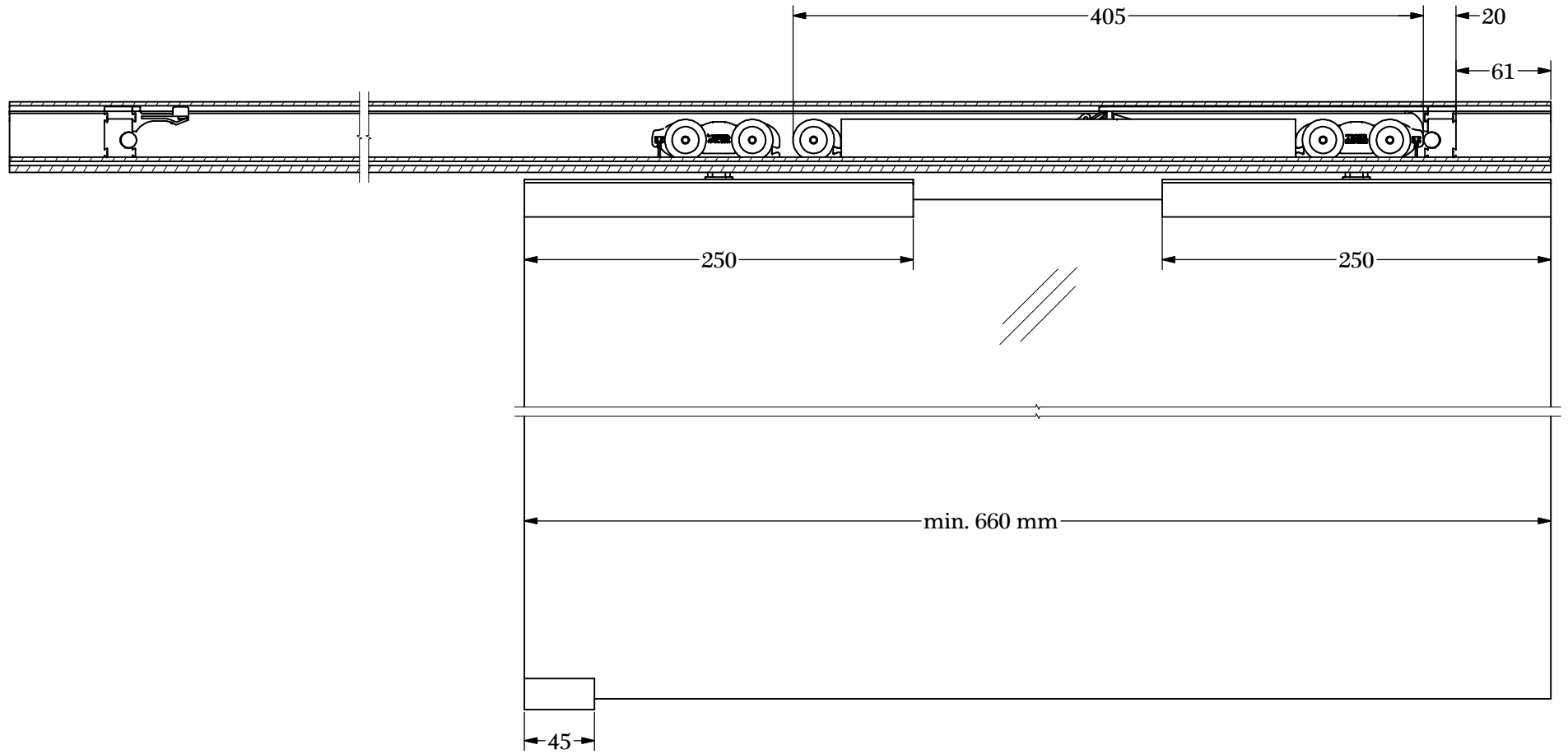


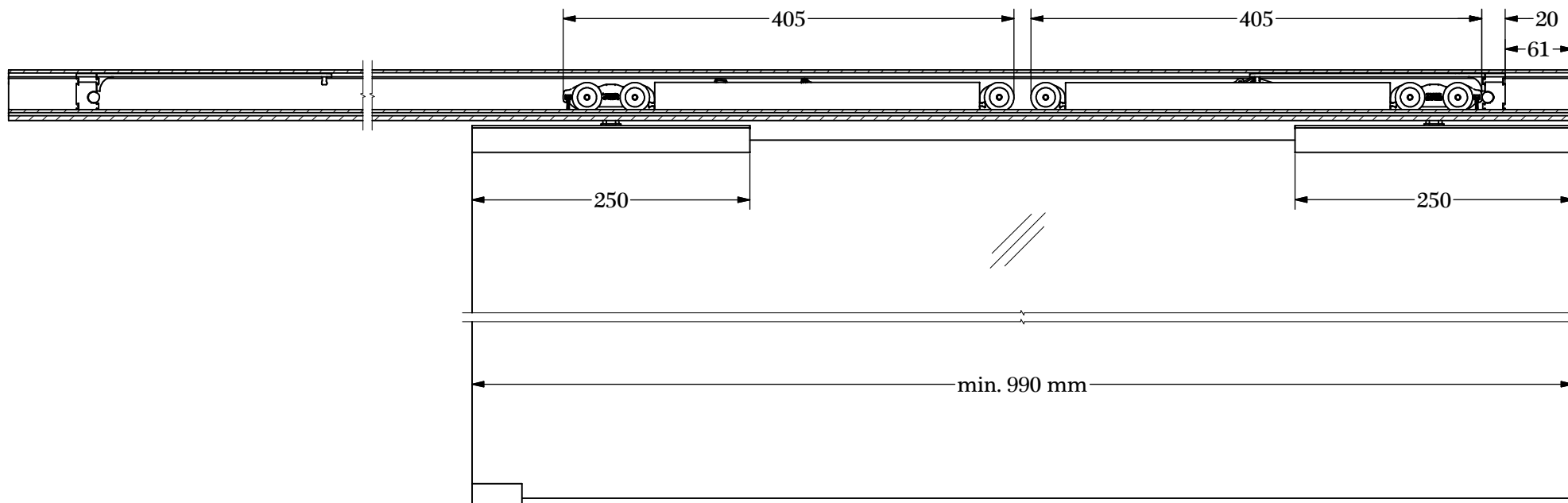
NOVA 150 Glas Heavy Duty (N355 + B259)



NOVA 150 Glas Heavy Duty



NOVA 150 Glas Heavy Duty + X1



NOVA 150 Glas Heavy Duty + T-Master

