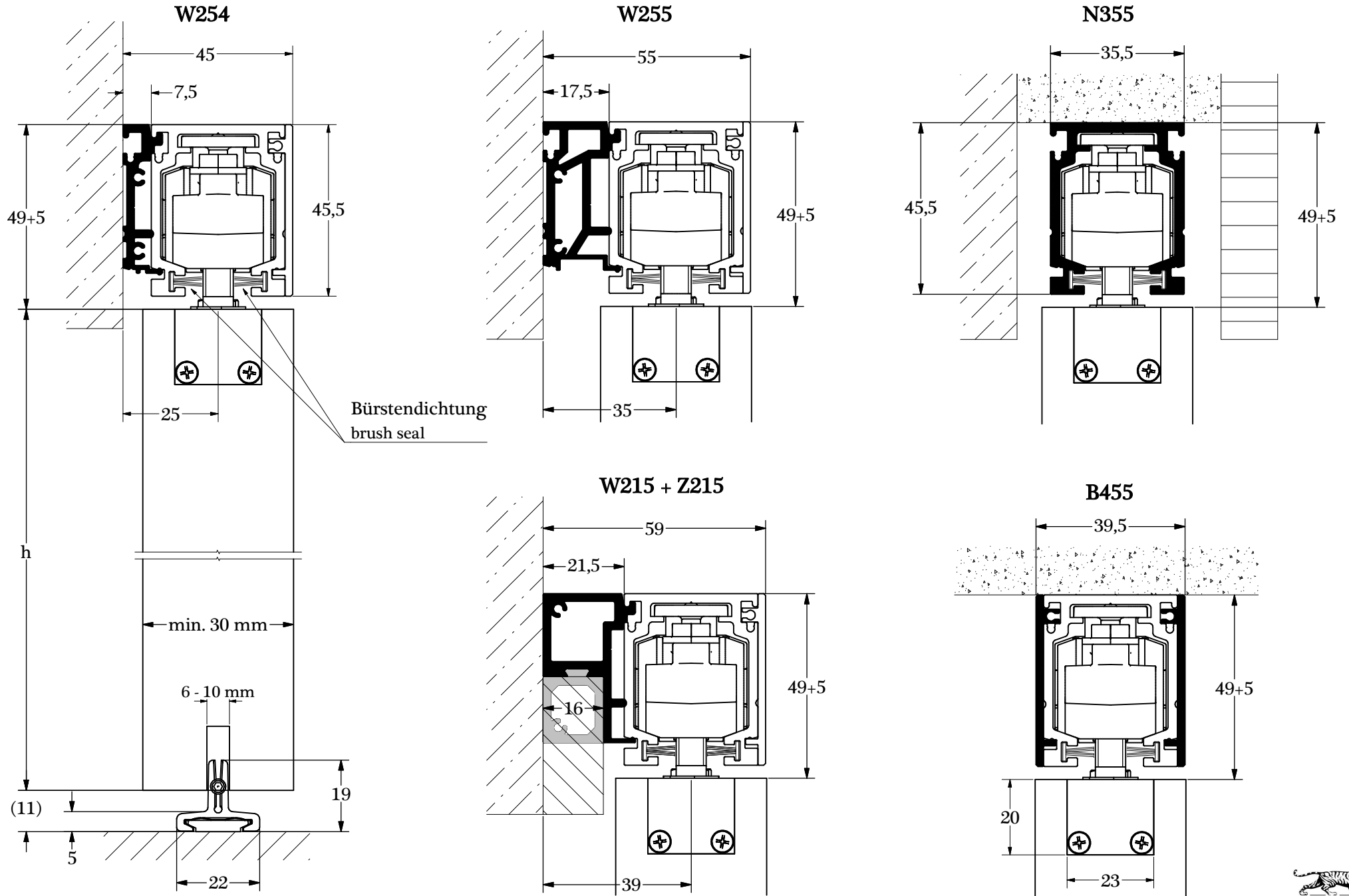
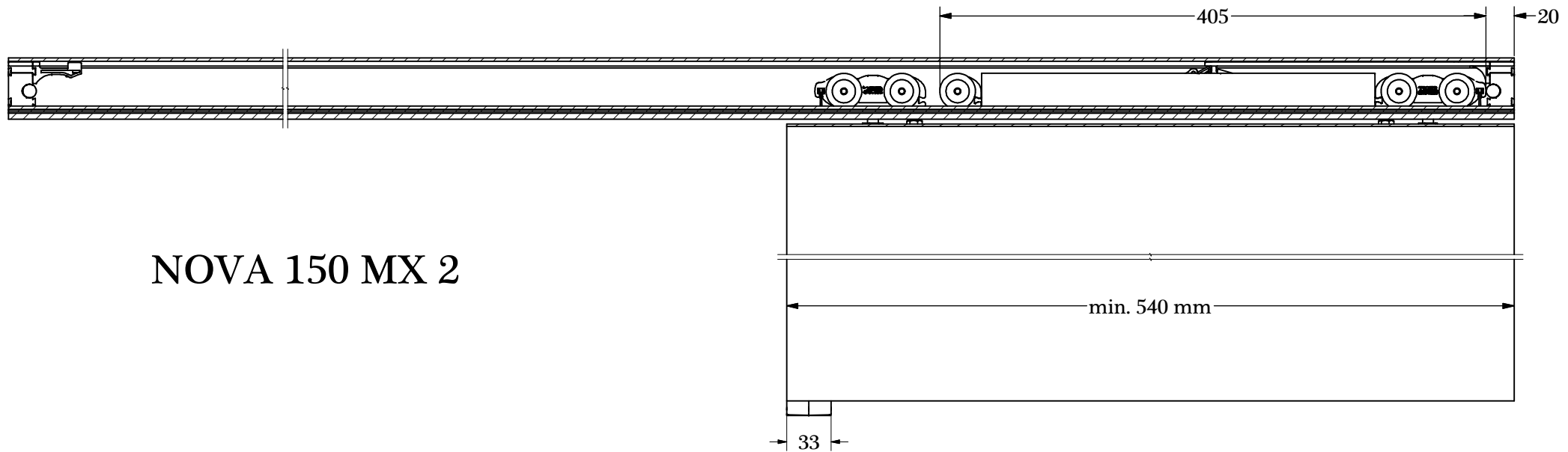
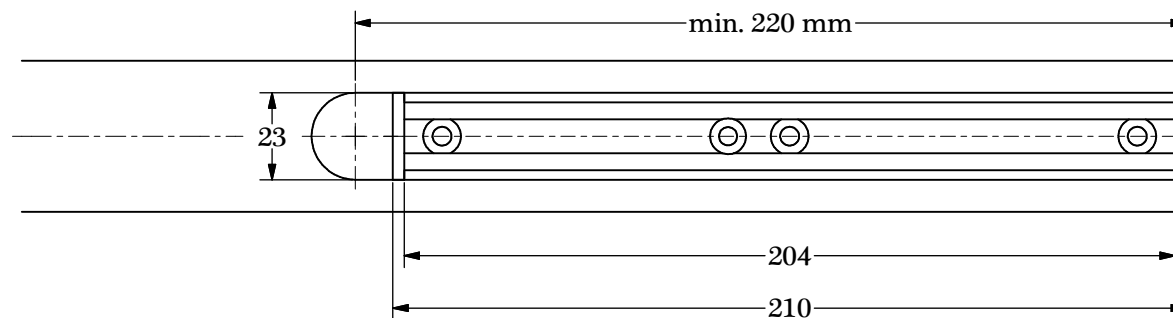
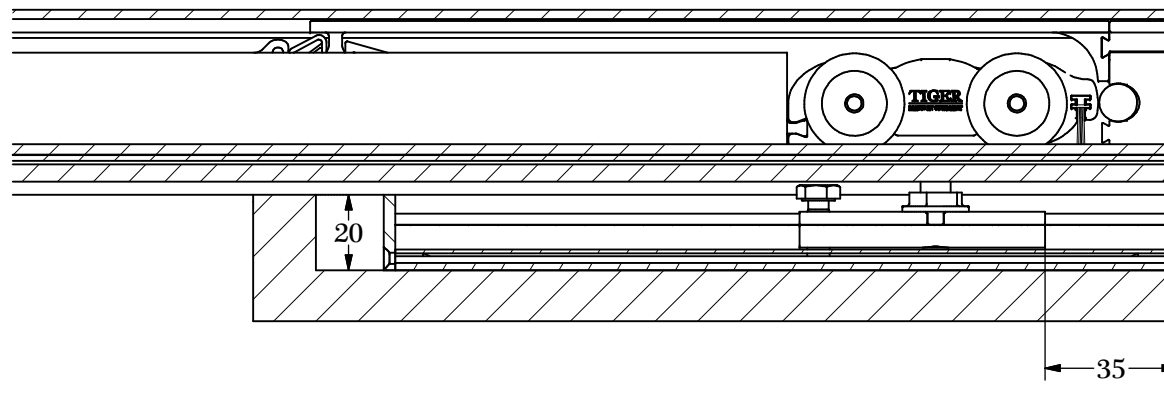


# NOVA 150 MX 2 ( N355 + B455 )

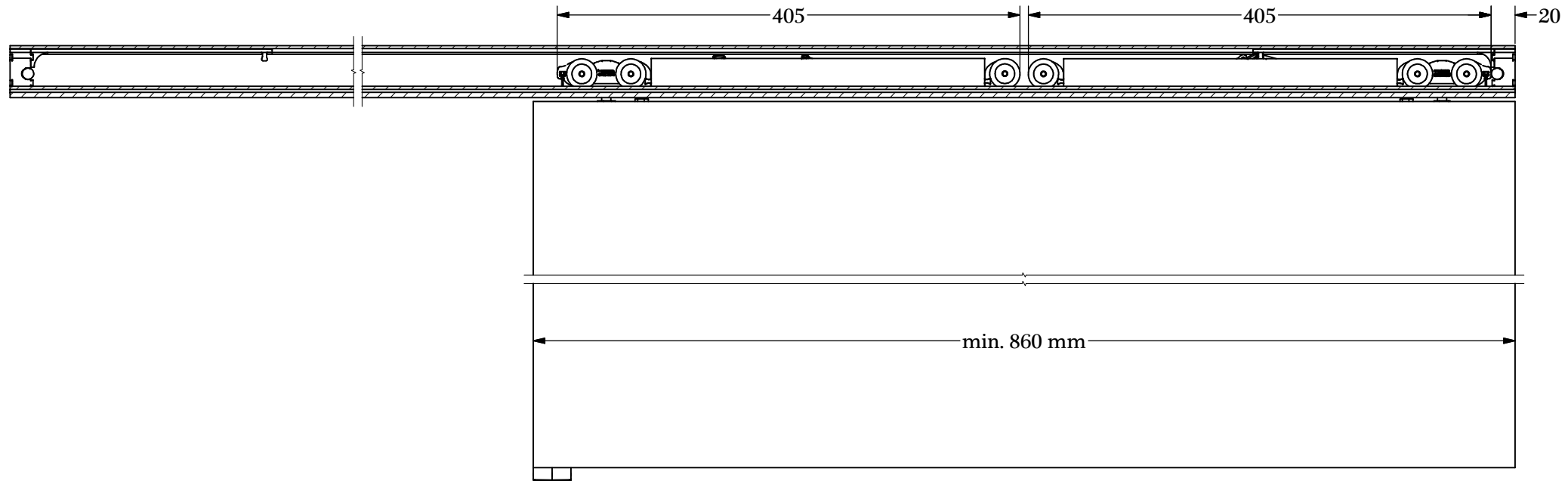




# NOVA 150 MX 2



# NOVA 150 MX 2 + X1



# NOVA 150 MX 2 + T-Master

