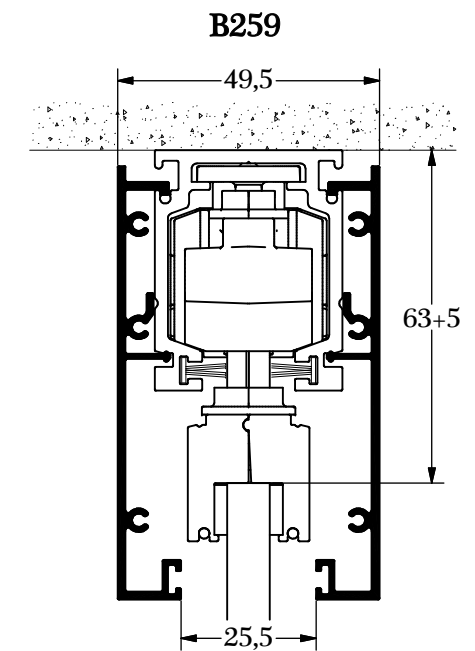
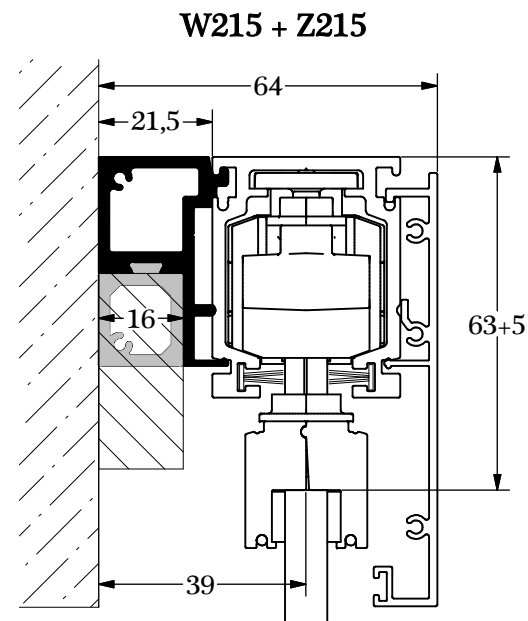
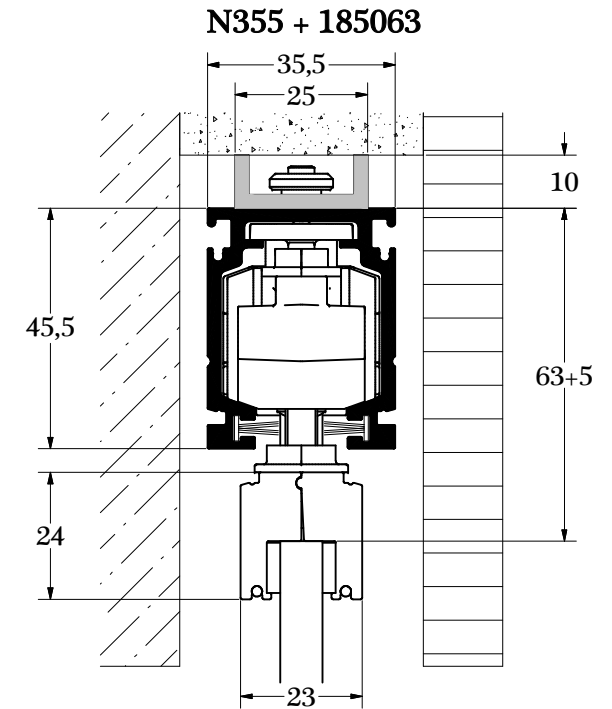
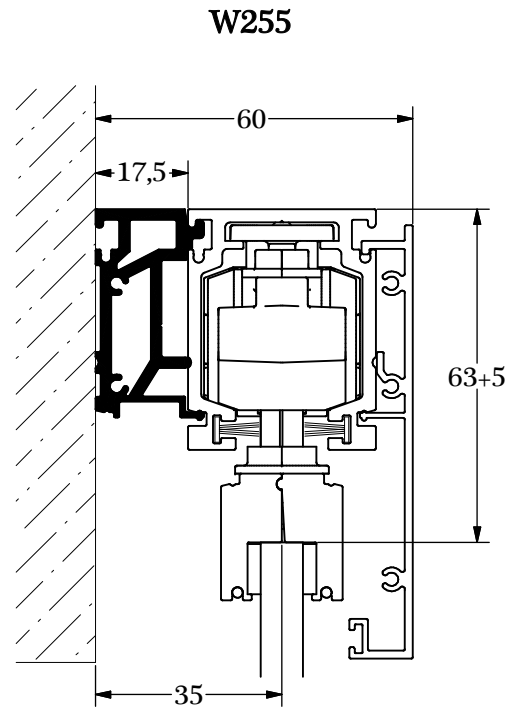
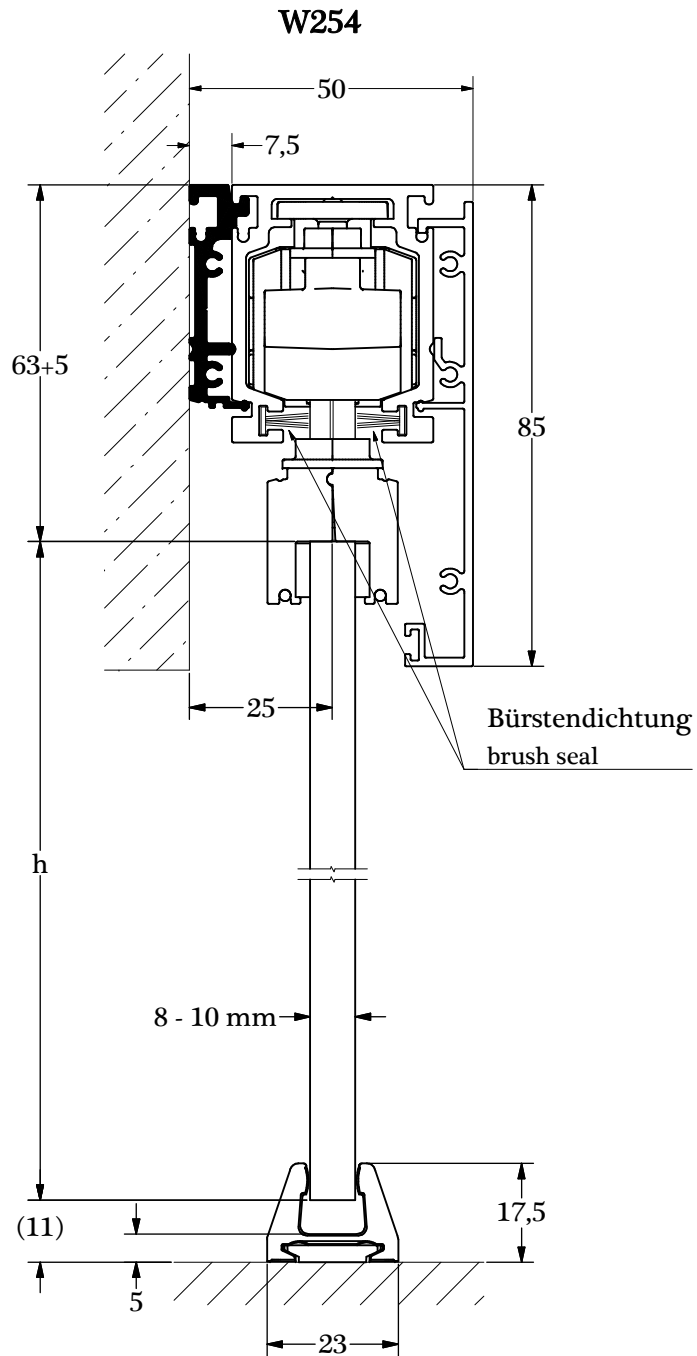
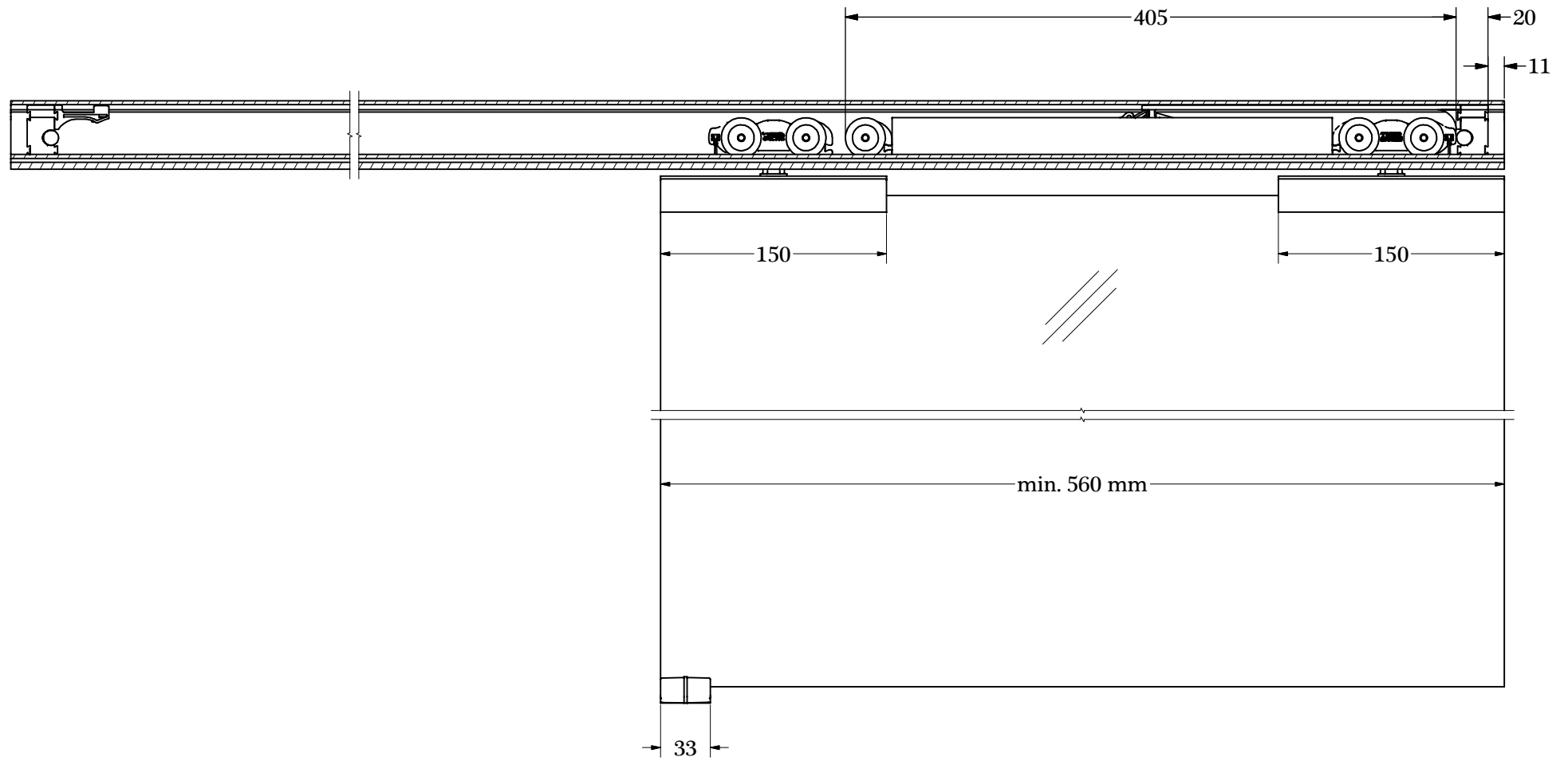


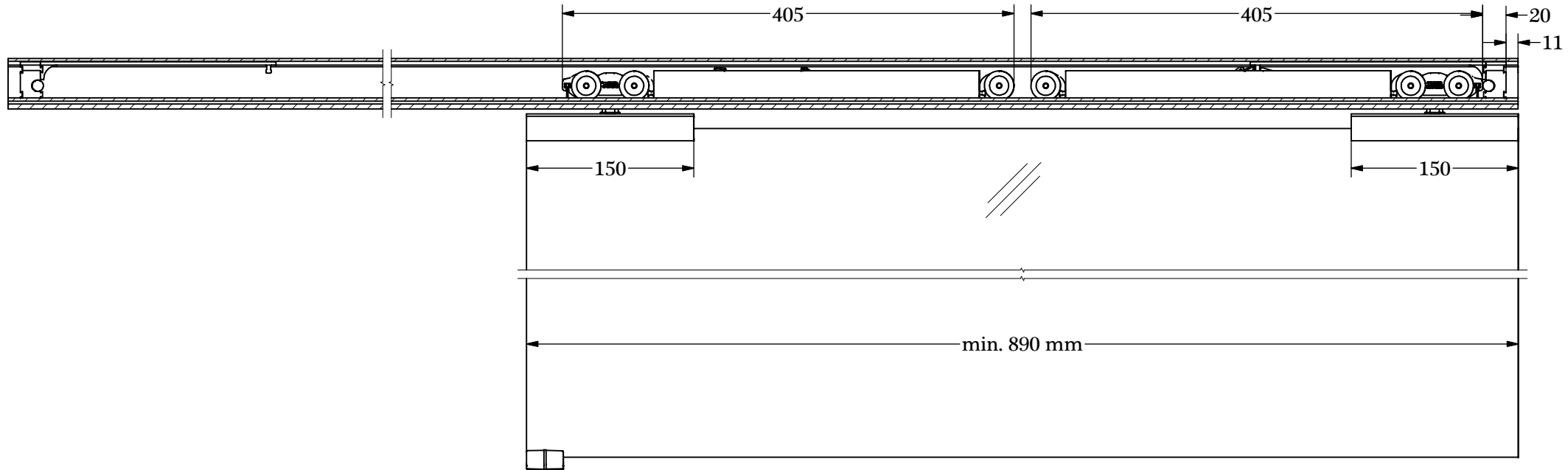
# NOVA 150 Glas ( N355 + B259 )



# NOVA 150 Glas



# NOVA 150 Glas + X1



# NOVA 150 Glas + T-Master

