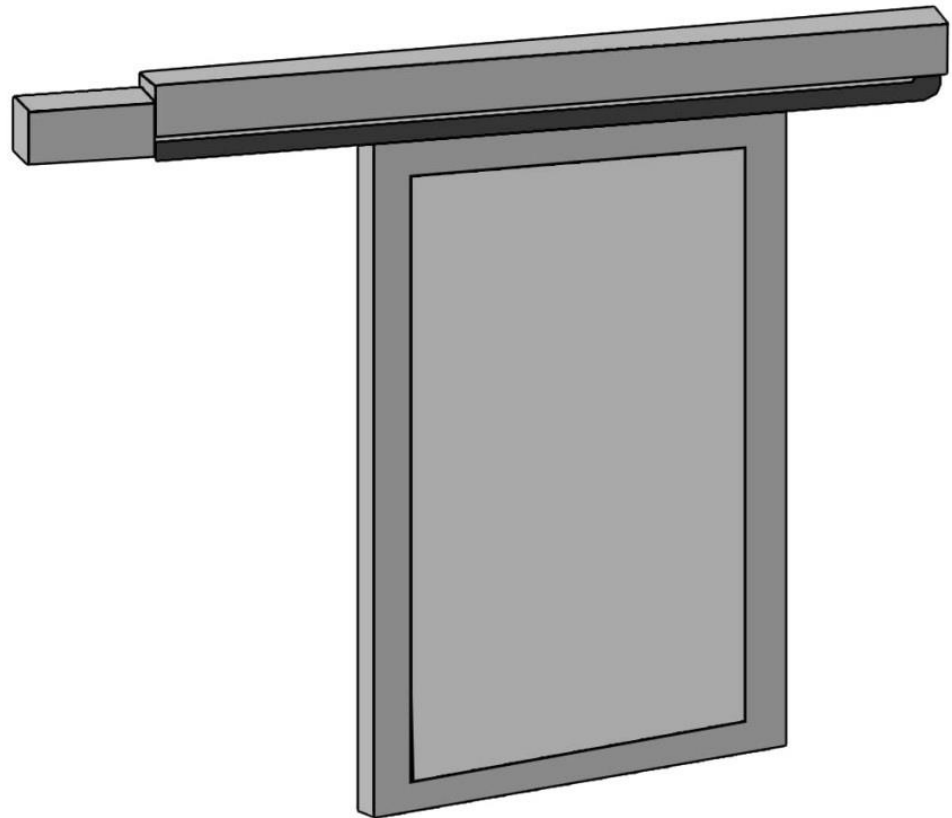


ET3 Alu 100

Instruction manual



Version: 1.9
Language: english
Original language: deutsch
Document: -----

Imprint

Imprint

Hermann Francksen Nachfolger GmbH & Co.KG
Baubeschlagsfabrik
Lesumbroker Landstr. 22
DE-28719 Bremen

Phone: +49 (0) 421 / 69 44 6 – 0

Fax: +49 (0) 421 / 69 44 6 - 11

info@tiger.de

www.tiger.de

Document information

Document type: Instruction manual
Titel: ET3 Alu 100

Version: 1.9
Language: english
Original language: deutsch

Document: -----

Copyright notice

This is a copyrighted document. It is not allowed to copy it fully or partly, distribute it or use it without authority, if the permission of the above mentioned originator is missing. All rights about the drawings and other documents and the power of disposal is with the originator, also in the case of application for industrial property protection.

Declaration of conformity

This product fulfills the basic requirements of the applicable European Directives. The conformity was detected. The original of the Declaration of conformity is available as a separate document from the manufacturer.

Technical subjects to change

Our products are always under further development and get improved. The data used for this document represents the state of the product at the time of the creation of this document.

Changes of technical details are excepted. Please use the latest version of the document and contact the manufacturer in case of doubt.

Questions

In case of questions contact the customer service. Please have the order number or serial number ready..

Table of content

1	About this document	4
1.1.1	Target group	4
1.1.2	Objective of this document	4
1.1.3	Reference to other documents, guidelines and standards	4
1.1.4	Used symbols	5
2	Safety	6
2.1	Requirements for operation	6
2.1.1	Environmental conditions	6
2.2	Proper use	6
2.3	Behavior in case of an error	6
3	Functional description	7
3.1	General description	7
3.2	Modes of operation	8
4	Cabling	9
4.1	Cable diagram	9
4.2	Cable requirements	9
5	Mounting and electrical connection	10
5.1	Mounting in a flush box	10
5.2	Electrical connection	11
5.2.1	Exemplary connection of on-site actuators	12
6	Initial operaiton	14
6.1	Configuration	14
6.1.1	Automatic closing delay time	15
6.1.2	DIP switch	16
6.2	Steps during initial operation	18
6.3	Behavior after a power cut	19
6.4	Error mode	20
7	Wireless receiver	21
7.1	Mounting of wireless receiver	21
7.2	Programming of wireless receiver	21
7.2.1	Teach-in of hand transmitters	22
7.2.2	Delete teached hand transmitters	22

1 About this document

1 About this document

1.1.1 Target group

This document addresses qualified personnel only. The mounting must be done by technical educated, trained and qualified personnel. Electrical wirings have to be done by a specialist.

This document has to be made accessible for qualified personnel. Its content must be read, understood and followed.

1.1.2 Objective of this document

This document contains important information for mounting and wiring of the product. It has to be read before working with the product. It must be handed out and explained to the operator and kept available all the time as a part of the product.

1.1.3 Reference to other documents, guidelines and standards

Additional documents like guidelines, standards and laws for products of this kind, have to be considered.



Hint

The fabricator has an increased duty to advice the customer. The relevant guidelines, standards and laws have to be considered.

1.1.4 Used symbols

**Hint**

A hint gives important and additional information.

NOTICE**Description of type and source of hazard**

Warnings, marked with this symbol, are related to safety.
Disregard may result in property damage.

➤ Steps to avoid hazards.

⚠ CAUTION**Description of type and source of hazards**

This symbol indicates a hazardous situation which, if not avoided, could result in minor or moderate injury and/or property damage.

The following levels of warning show the severity and probability of possible hazards, in ascending order.

- CAUTION, colored yellow
- WARNING, colored orange
- DANGER, colored red

➤ Steps to avoid hazards.

Lists

- symbolizes a list with no specific order.
1. symbolizes a list or instruction in specific order.

Instructions

- symbolizes an action.
- symbolizes a reference.
- ✓ symbolizes the result of an action.

2 Safety

DANGER



Electric Shock

Danger to life and health due to electric shock.

- Electrical connections have to be installed by approved personnel only
- Switch off power before carrying out work and secure power against being switched on.
- Observe relevant safety instructions.

2.1 Requirements for operation



Hint

Read the instruction manual before performing the initial operation

2.1.1 Environmental conditions

The 24 V motor control device for sliding doors is designed for standard wall jacks in dry interior.

2.2 Proper use

This product is a motor control device for the sliding door ET3 of the manufacturer. The manufacturer's specifications must be respected, in especially maximum and minimum dimensions and maximum weight of the door leaf.

Any other use of this product is considered inappropriate use.

It is not guaranteed, that this product will work in combination with fittings, motors or other electronic devices of other manufacturers.

2.3 Behavior in case of an error

In case of an error, the device must be shut down and the manufacturer must be informed.

Shut down

- Do not operate device.
- Disconnect device from power supply.
- Inform the manufacturer.

3 Functional description

3.1 General description

The product ET3 is an electric drive for sliding doors. The motor control device ET3-80-S13 drives a 24V DC motor ET3-80-M7. The motor drives a sliding door, to which it is connected by a timing belt.



Hint

This document describes the functionality of the motor control device ET3-80-S13. Instruction manuals for the installation of the mechanical part of the sliding door are available in separate documents.

The control device is designed to fit in a standard flush box, according to DIN 49073. The control device disappears into the flush box, including its electrical connections. For operation a removable switch is provided, which fits into commercial available switch ranges with standard dimensions of 55mm.

The control device is powered by an external power supply unit. The PSU supplies 24V DC and is connected to terminals 1 and 2. It can be placed in a flush box next to the control device. A distant mounting is also possible. For information on the wiring, refer to chapter **Fehler! Verweisquelle konnte nicht gefunden werden..**

For electrical connections, screw terminals are provided. These are grouped by their function: Power supply (Terminals 1 and 2), Control inputs (Terminals 1, 15, 21 and 29), Motor (Terminals MA and MB) and Encoder (Terminals 1, 82, 85 and 86).

The encoder of the motor ET3-80-S13 has to be connected, to ensure proper operation.

The control device provides a potentiometer P1, to set the time the door stays open (automatic mode only). The operation mode is selected by a DIP switch.

To perform the initial operation or to apply new settings, the reset key is used.



Hint

For further information on configuration and initial operation, refer to chapter **Fehler! Verweisquelle konnte nicht gefunden werden..**

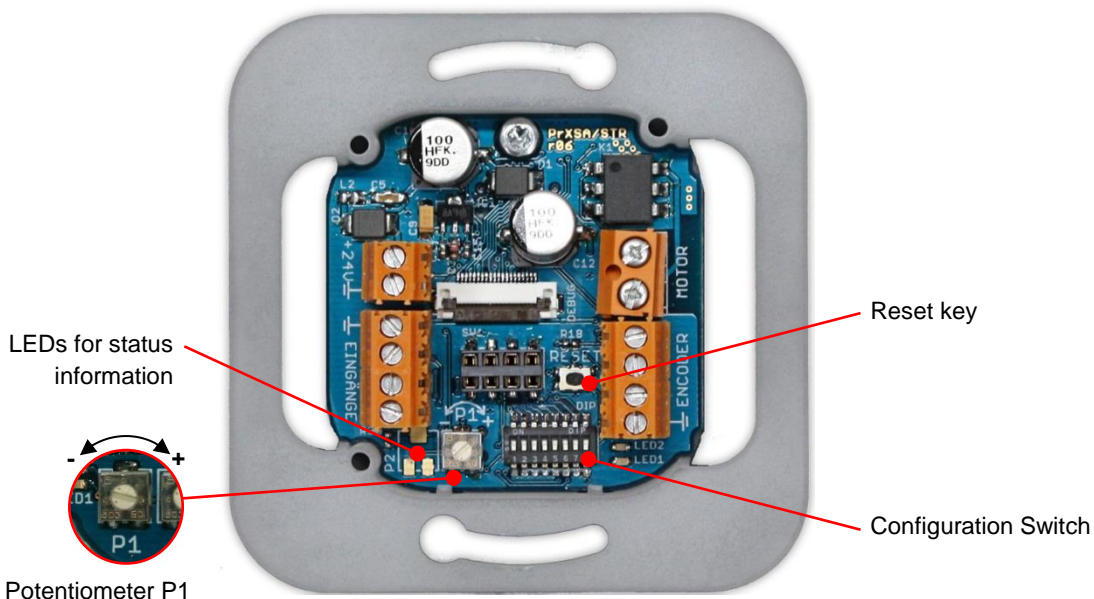


Figure 1
Motor control device

3 Functional description

3.2 Modes of operation

After installation and initial operation, the motor control device is ready to use.

The door drive starts to move, when the keys “open” or “close” of the switch cover are pressed, or when the potential free inputs (Terminals 1, 21 and 29) are triggered.

The following modes of operation are possible:

- **Dead man’s control:**
The drive moves in the desired direction, as long as the corresponding input signal is applied and no obstruction is detected. Otherwise it stops instantly.
- **Semi-automatic mode:**
The drive moves in the desired direction after a trigger impulse on the corresponding input signal. After an opening command, it will stay open until a close command is applied.
When an obstruction is detected or a stop signal or a command contrary to the driving direction is applied, the drive stops.
- **Automatic mode:**
Additional to the semi-automatic behavior, the door closes automatically, when a close delay time is over.
When an obstruction is detected during closing, the drive reverses and remains open for the close delay time again.
If a command contrary to the driving direction is given, the drive reverses. On a stop signal, the drive will stop as long as the stop input is applied. After the stop signal is released, the drive continues its operation.
- **Temporarily remain opened:**
In automatic mode it is possible to let the door remain in the open position.
To activate this feature it is necessary to press the “Open” and “Close” keys together for about two seconds.
After this, the door remains in the open position, until a close command is given. After closing, the drive returns to automatic mode.

NOTICE



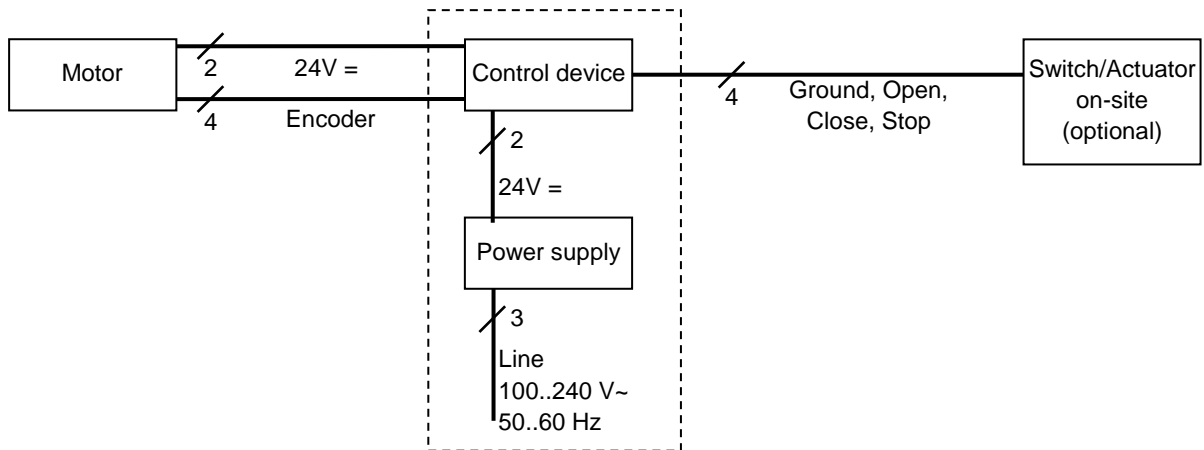
Voltage induction by manual sliding or acceleration the sliding door

By manually pushing, in particular by accelerating or pushing the already moving door unit, voltages can be induced in the components, which can damage or weaken the components

- The product is designed for the electrical operation of a sliding door. Avoid manual operations, especially accelerating or pushing the door leaf that is already electrically driven.
-

4 Cabling

4.1 Cable diagram



Usually the control device and the power supply are mounted in two neighboring flush boxes.

4.2 Cable requirements

The following specifications are minimum requirements.

For motor cabling a special cable is recommended, which fulfills the requirements. It is available from the manufacturer.

Cable	Cable type
Between motor and control device.	Motor supply (24V =) up to 20 m (60 ft): 2 x 0,50 mm ² (20 AWG) 20 to 50 m (60..160 ft): 2 x 0,75 mm ² (18 AWG)
	Encoder up to 50 m (160 ft): 4 x 0,25 mm ² (22 AWG)
Between switch/actuator and control device.	optional up to 50 m (160 ft): 4 x 0,25 mm ² (22 AWG)
Between power supply and control device.	up to 20 m (60 ft): 2 x 0,50 mm ² (20 AWG) 20 to 50 m (60..160 ft): 2 x 0,75 mm ² (18 AWG)

Table 1 – Cable requirements

5 Mounting and electrical connection

5 Mounting and electrical connection

5.1 Mounting in a flush box

⚠ DANGER



Electric shock

Danger of dead, serious injury or property damage.

- Cabling must be done by authorized and trained personnel only.
- Shut down main power before carrying out any work on cabling.

Mounting of power supply unit (PSU) in a flush box

- Put PSU in neighboring flush box.
 - Pay attention to requirements of PSU manufacturer.
- Connect power line to PSU (brown and blue wires).
- Bring leads for 24 V (red and black leads) into flush box for control device.
- ✓ Power supply is mounted and ready for operation.

Mounting of control device and switch cover

- Prepare cables of power supply and motor for connection.
- Put control device in flush box.
- Carry out electrical connections.
 - For details refer to chapter **Fehler! Verweisquelle konnte nicht gefunden werden..**
- Secure control device with two screws.
- Perform initial operation.
 - For details refer to chapter **Fehler! Verweisquelle konnte nicht gefunden werden..**
- Place cover frame over control device.
- Plug switch through cover frame into control device.
- ✓ Control device and switch are mounted.

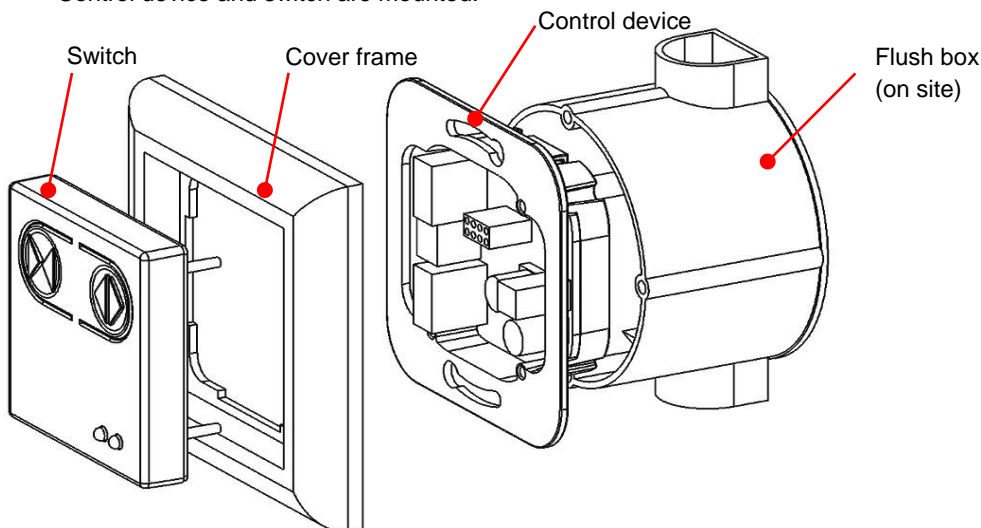


Figure 2 – Mounting of control device and switch

5.2 Electrical connection

⚠ CAUTION



Wrong installation

Damage of control device.

- Observe polarity of connections.
- Inputs (Terminals 1, 15, 21, 29) are potential free.

Carrying out electrical connections

- Disconnect main power and protect against power up.
→ For safety instructions refer to chapter 2.
- Connect power supply to terminals 1 and 2.
Terminal 2: 24V DC (+)
Terminal 1: Ground (-)
- Connect motor to terminals MA and MB.
Polarity determines direction of operation.
- Connect encoder.
Terminals 82, 86, 85 and 1
- Connect on-site actuators (optional)
Terminals 1, 15, 21 and 29

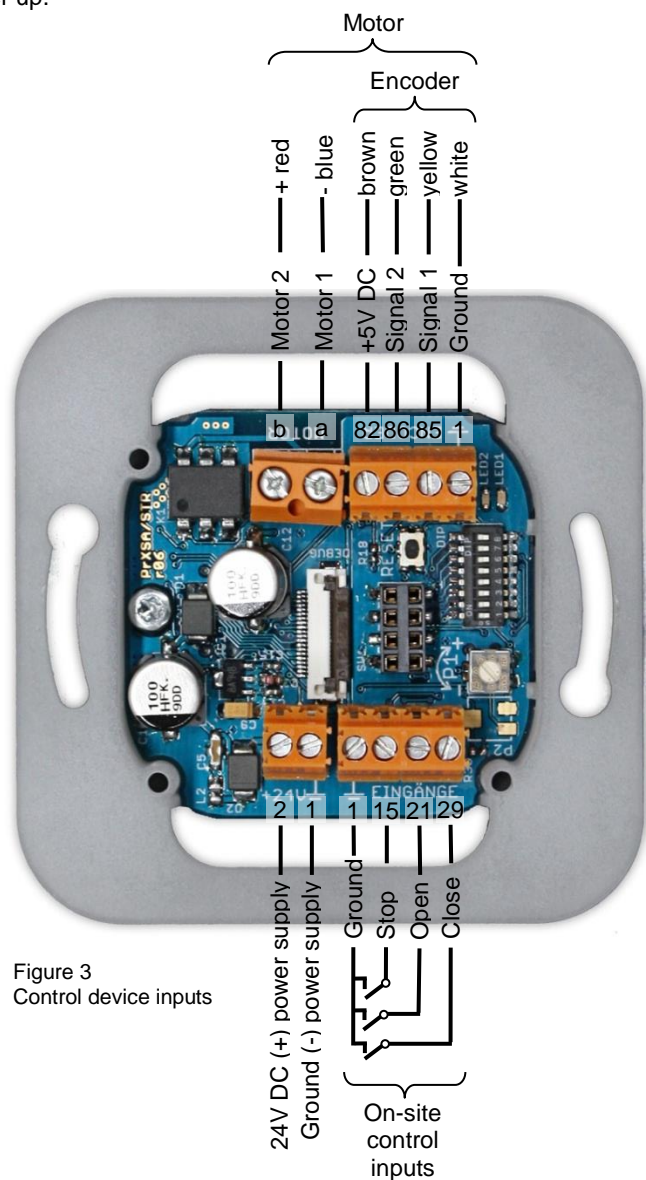


Figure 3
Control device inputs

5 Mounting and electrical connection

5.2.1 Exemplary connection of on-site actuators

⚠ CAUTION



Wrong installation or initial operation.

Damage of control device or actuators.

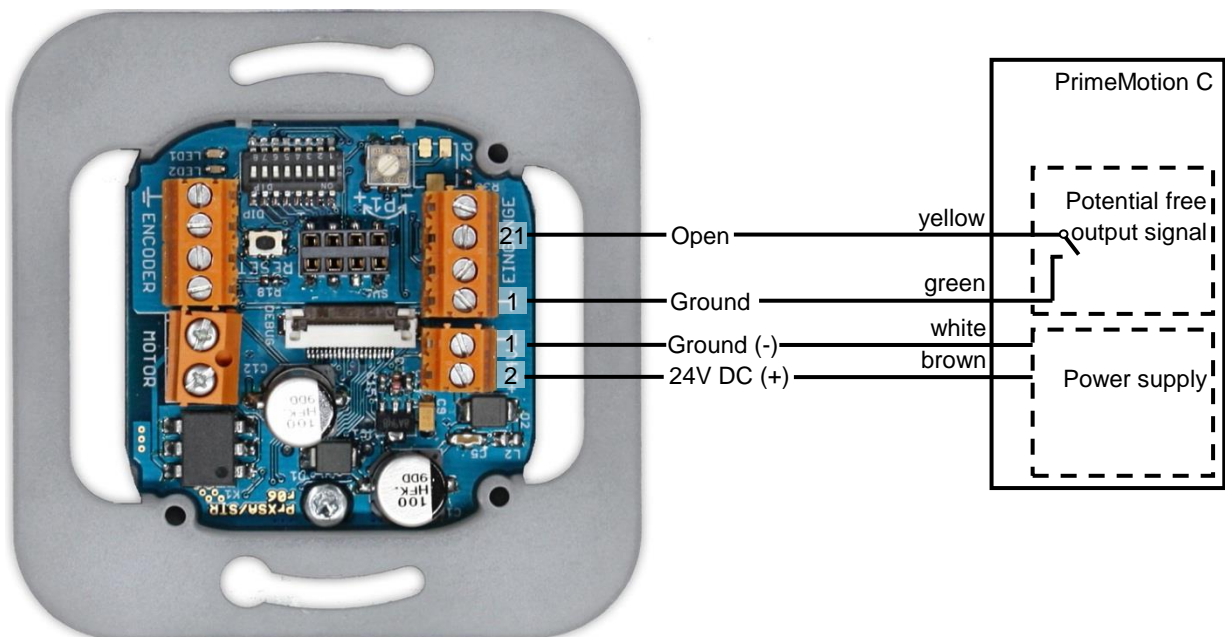
- Read documents of actuators manufacturer.
- In case of questions contact manufacturer.

Motion detection example: Bircher Reglomat PrimeMotion C

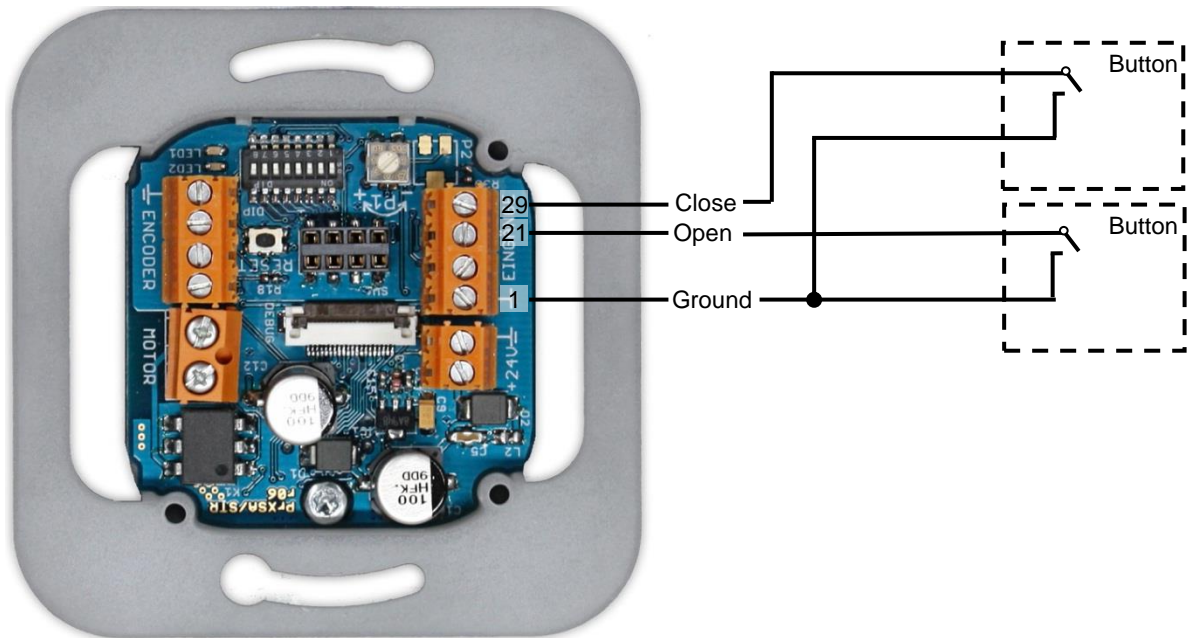


Hint

Further information, especially mounting and initial operation of the motion detector, are available in the instruction manual of the manufacturer.



Conventional open and close buttons (potential free, normally open).



Hint

Operation with one button is only possible in automatic operation mode (Open command). Otherwise two buttons are necessary.

6 Initial operation

6 Initial operation

After installation of the control device, an initial operation must be performed.

The following sections describe the parts of the control device, which are relevant for the initial operation. The following chapters describe step by step, which functions must be set up and how the initial operation is done.

6.1 Configuration

The configuration is set via the potentiometer P1, the DIP switch and the reset button. The function of these elements is described in the following sections.



Hint

Changes in configuration will take effect only when the control device changes into configuration mode and leaves it again.

Set configuration before initial operation

- Set desired parameters, while main power is off.
- Perform initial operation.
 - For details refer to chapter **Fehler! Verweisquelle konnte nicht gefunden werden.**
- ✓ Configuration is set during initial operation.

6.1.1 Automatic closing delay time

The automatic closing delay time determines the time the door stays open in automatic operation mode. After the delay time, the door closes automatically.

NOTICE

Over tightened potentiometer

Damage of control device may result in malfunction.

- Potentiometers have a right and a left stop, which must not be over tightened.
 - Adjust potentiometer slightly and with an appropriate tool.
-

Prolong automatic closing delay time

- Turn potentiometer P1 clockwise.
- ✓ After configuration is applied, the door stays open for a longer time.
 - Refer to chapter 6.1

Reduce automatic closing delay time

- Turn potentiometer P1 counter-clockwise.
- ✓ After configuration is applied, the door stays open for a shorter time.
 - Refer to chapter 6.1



Hint

The minimum closing delay time is 5 seconds, the maximum closing delay time is 30 seconds.

6 Initial operation

6.1.2 DIP switch

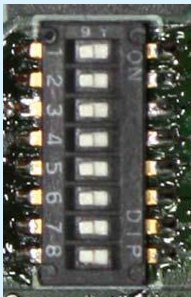
	Switch	Description	OFF (default)		ON
	1	Operation mode	Semi-automatic		Automatic
	2	Dead man's control	Disabled		Enabled
	3	Push & Go	Disabled		Enabled
	4	Reaction on obstruction	Reverse		Stop
	5	Closing speed	Reduced speed		Full speed
	6	Safety stop	Disabled		Enabled
	7 and 8	Setting of maximum speed	7	8	Door leaf/ Speed
OFF	OFF		Max. 80 kg 18 cm/s		
ON	OFF		Max. 80 kg 20 cm/s		
OFF	ON		Max 50 kg 25 cm/s		
ON	ON	Max. 80 kg 15 cm/s			

Table 2 - DIP switch

- Switch 1 Operation mode semi-automatic / automatic:
When semi-automatic mode is set the drive will not close automatically. The potentiometer P1 is without function.
When automatic mode is set the drive closes automatically.
- Switch 2 Dead man's control:
When dead man's control is activated the drive will only operate, as long as an input signal is applied. Switch 1 is inactive, when dead man's control is selected.
- Switch 3 Push & Go:
With push & go enabled the drive starts to move, as soon as the door leaf is pushed manually.
- Switch 4 Reaction on obstruction:
When reverse is set the drive stops and starts to move in the opposite direction, as soon as an obstruction is detected. Otherwise it will stop until a new command is given. (This is only possible in semi-automatic mode).
- Switch 5 Closing speed:
By default the closing speed is slower than the opening speed. The closing speed can be set as fast as the opening speed, by setting this switch to ON.
- Switch 6 Safety stop:
When enabled, the drive will stop a short distance before its end position and will then close with low speed. Otherwise it will stop directly in the end position.

Switch 7

Switch 8

The combination of switches 7 and 8 sets the maximum speed of the drive.
(Refer to table 2).

Maximum speed must be set according to the weight of the door leaf in order to fulfill the safety specifications of DIN EN 18650.

Weight of door leaf up to 80 kg → Maximum speed is 20 cm/s

Weight of door leaf up to 50 kg → Maximum speed is 25 cm/s



Hint

The safety stop (which can be set with DIP switch No. 6) provides increased safety and is recommended for use in sensitive areas like kindergartens or retirement homes.

6 Initial operation

6.2 Steps during initial operation

WARNING



Moving door leaf

Danger of injury by squashing, shearing or collision, caused by moving door leaf.

- Keep area clear during initial operation.

Prepare control device

- Carry out electrical connections.
 - Refer to chapter 5.2
- Set configuration.
 - Refer to chapter 6

Perform reset

- Switch power supply on.
- ✓ Control device in delivery status or after power cut:
Red LED blinks continuously twice with a short break of 1.5 sec.
- Press RESET for about 2 seconds.



- ✓ Red LED blinks continuously.
- Check driving direction of motor with control keys:
When pressing OPEN, door has to open and when pressing CLOSE, door has to close.
 - When driving direction is wrong:
Swap motor cables (terminals MA and MB), check driving direction again.
- Move door in a middle position by pressing and holding the control keys.
- Press RESET for about 2 seconds.



- ✓ Red LED lights up permanently,
green LED lights up during motor activity.
- ✓ Door moves in the open position,
door moves in the closed position,
door moves in the open position.
- ✓ LEDs go out.



Check functionality

- Test, if door shows desired behavior.
- In case of malfunction check electrical connections and configuration.
 - For electrical connection refer to chapter 5.2
 - For configuration refer to chapter 6.1
 - Repeat initial operation, if necessary.
- ✓ Initial operation is completed, when function is correct.

6.3 Behavior after a power cut

When the main power is cut off, the control device will not work. The control device can be operated without an initial operation, when main power is restored (Provided that the control device has already been put into operation).

Bring control device back into normal operation

- Restore main power.
- ✓ Control device after power cut:
Red LED blinks continuously twice with a short break of 1.5 sec.
- Execute desired action:
Press OPEN to open the door, press CLOSE to close the door.
- ✓ First movement will start with reduced speed.
- ✓ Normal operation is restored.



Hint

After a power cut, no further initial operation is necessary. The operation parameters are saved permanently during initial operation.

6 Initial operation

6.4 Error mode

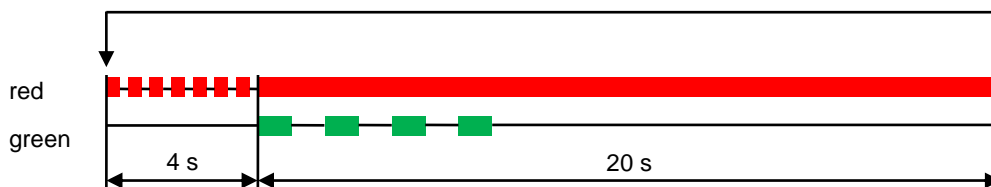
If an error is encountered during or after initial operation, the control device changes into error mode. The error code is displayed by a blinking code. In this mode it is not possible to move the door leaf.

Name	Description	Code
Unknown error	An unknown error occurred.	1
Self-test – Several errors	The self-test detected several problems.	2
Self-test – Oscillator defective	The self-test detected a defective main oscillator.	4
Self-test – Motor relay defective	The self-test detected a defective motor relay.	5
Self-test – Motor driver defective	The self-test detected a defect in the motor driver.	6
Self-test – Current measurement defective	The current measurement is not working properly.	7
Self-test – Motor driver fault detection defective	The motor driver fault detection is not working properly.	8
Hardware – Encoder error	The encoder is defective or not connected properly.	9
Hardware – Supply voltage out of range	The supply voltage is out of its operation range.	10
Memory – RAM defective	A memory defect was detected in the RAM.	11
Memory – ROM defective	A memory defect was detected in the ROM or the program code was altered intentionally.	12
Memory – EEPROM defective	The parameter memory is defective.	13

Table 3 – Error codes

The red and green LEDs display the error code by blinking in a special way:

First, the red LED blinks fast, then it lights up permanently for 20 seconds. The green LED blinks as many times, as the error code which it displays. This cycle repeats every 24 seconds until the error is reset.



In this example, the error code 4 is shown (Self-test - Oscillator error).

7 Wireless receiver

For wireless operation of the control device, a wireless receiver is available in two different variants: Wireless receiver with additional manual keys or wireless receiver without keys. The receiver replaces the standard key cover of the control device. No additional connections are required.

7.1 Mounting of wireless receiver

Mounting of receiver

The mounting of the wireless receiver is equal to the mounting of the standard key cover. (Refer to chapter 5.1)

- Mount control device in flush box (Refer to chapter 5.1).
- Place cover over control device.
- Plug wireless receiver through cover into control device.
- ✓ Wireless receiver is mounted.

7.2 Programming of wireless receiver

To teach-in hand transmitters, access to the LEARN button is needed. Therefore the cover of the wireless receiver must be removed.

Preparation of receiver

- Remove front cover of receiver.
- Have your hand transmitter ready.
- Place cover over receiver, when programming is done.

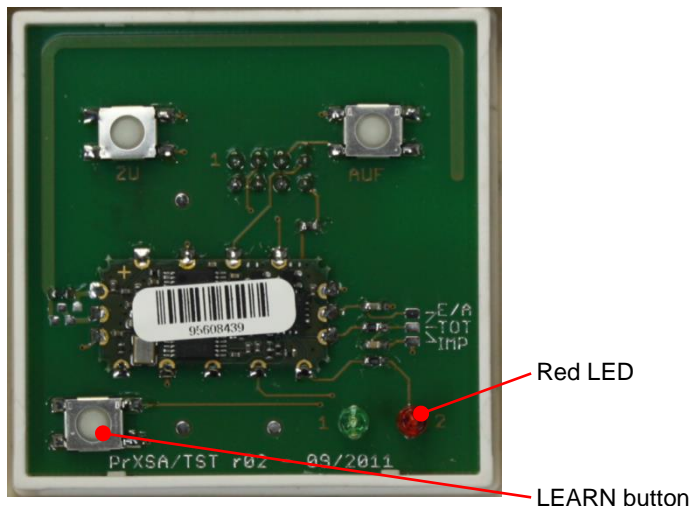


Figure 4 – Wireless receiver

7 Wireless receiver

7.2.1 Teach-in of hand transmitters

Teach-in of a hand transmitter

- Press LEARN button for less than 1 second.
- ✓ Red LED blinks slowly.
- Press any key of hand transmitter.
- ✓ Red LED lights up for about 4 seconds and continues blinking then.
- ✓ Hand transmitter is taught.
 - If applicable, repeat procedure for further hand transmitters.
- Press LEARN button, when finished.
- ✓ Red LED goes out.

Teach-in of further hand transmitters

The teach-in of further hand transmitters goes analogue to the teach-in of the first hand transmitter. Teached-in transmitters stay teached, until they are deleted.

7.2.2 Delete teached hand transmitters

Deleting a teached hand transmitter

- Press LEARN button for more than 2 seconds.
- ✓ Red LED blinks fast.
- Press any key of the hand transmitter.
- ✓ Red LED lights up for about 4 seconds and continues blinking then.
- ✓ Hand transmitter is deleted.
 - If applicable, repeat procedure for further hand transmitters.
- Press LEARN button, when finished.
- ✓ Red LED goes out.

Deleting all teached hand transmitters

- Press LEARN button for more than 2 seconds.
- ✓ Red LED blinks fast.
- Press LEARN button for more than 2 seconds.
- ✓ Red LED lights up for about 4 seconds.
- ✓ Red LED goes out.
- ✓ All hand transmitters are deleted.



T I G E R

Qualität seit 1915

Hermann Francksen Nachfolger
GmbH & Co.KG
Baubeschlagsfabrik
Lesumbroker Landstr. 22
DE-28719 Bremen

Telefon: +49 (0) 421 / 69 44 6 - 0
Telefax: +49 (0) 421 / 69 44 6 - 11

info@tiger.de
www.tiger.de