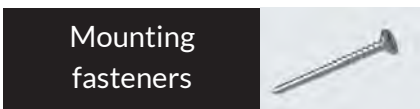
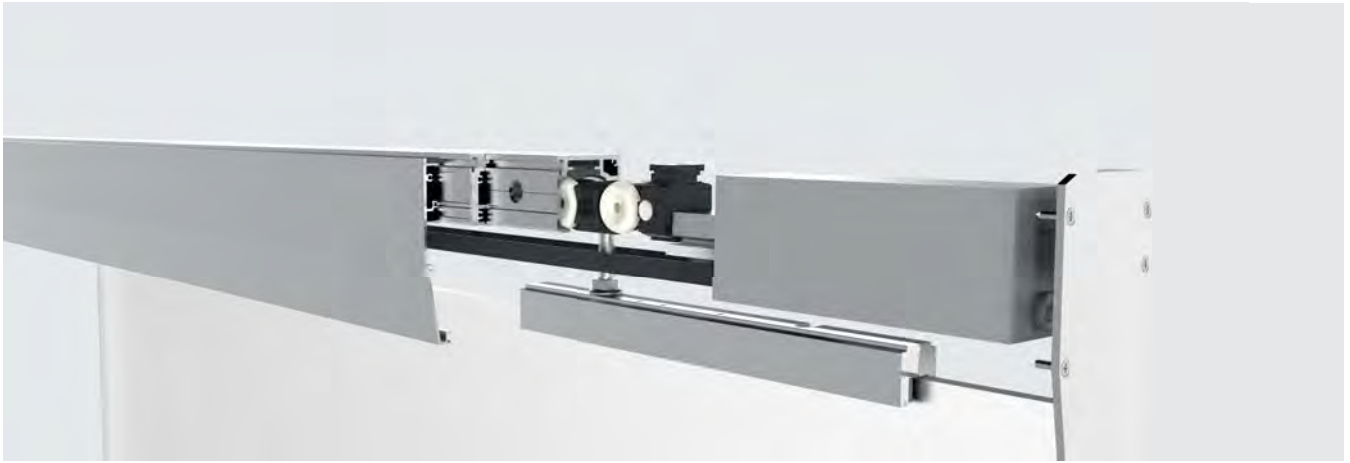


ALU 100 NEO ET3 Glass



Complete Set ALU 100 NEO ET3 Glass

Article Number

Anodized aluminium, EV1, silver

NEO100ETG

Anodized aluminium, C31, stainless-steel-look

NEO100ETGC

Technical Notes

Maximum Door Weight	80 kg
Height	84 ± 3 mm
Door Leaf Thickness	8 - 10 mm (12 mm upon request)
Maximum Door Width	600 mm
Minimum Door Width	1125 mm
Voltage	24 V via external power supply (100 - 240 V)

