

NEO 80 Synchron

For extra performance, and especially for wide openings, this accessory kit allows to operate two doors simultaneously. Push one door and the other – connected to the first door by a wear-free toothed belt - moves at the same time. You can open and close passages quickly, comfortably and impressively.



Technical Information

Maximum Door width 1000 mm

Opening width max. 2000 mm

A NEO 80 Synchron accessory kit requires 2 ALU 80 NEO box sets. Glass doors additionally require 2 NEO 80 Glass box sets

Accessory Kit

NEO 80 Synchron

Article Number

NEO80+Sync

Accessory Kit Synchron consists of:



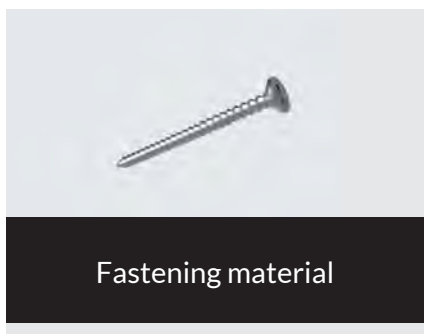
Toothed Belt
05M, 8 Meter



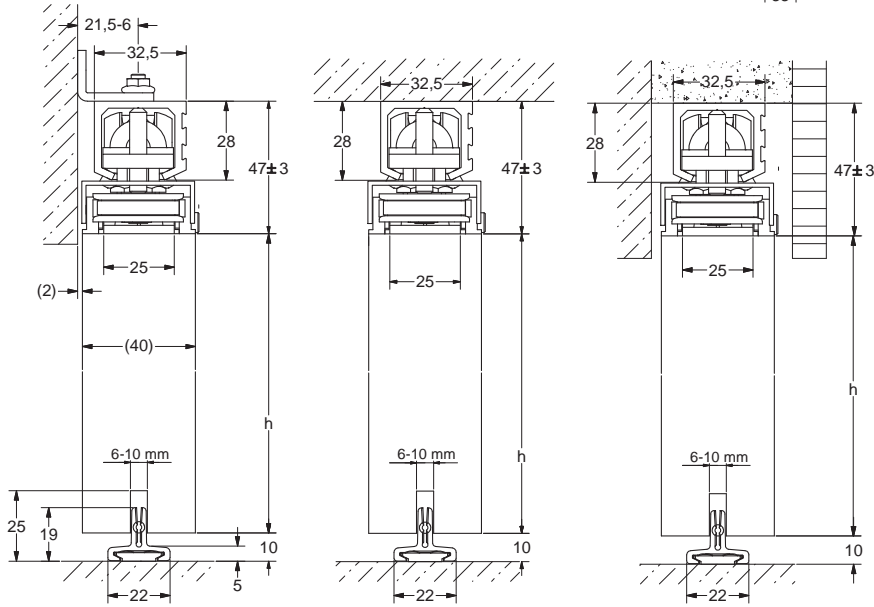
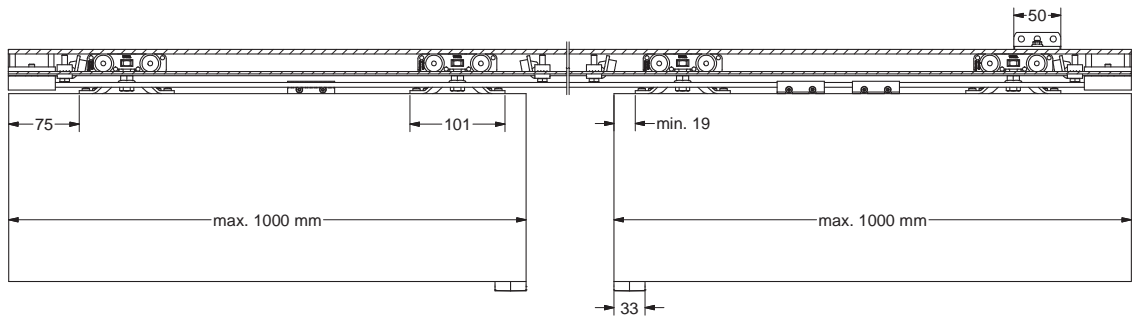
Deflection Unit
218069/80/4, 2 pieces



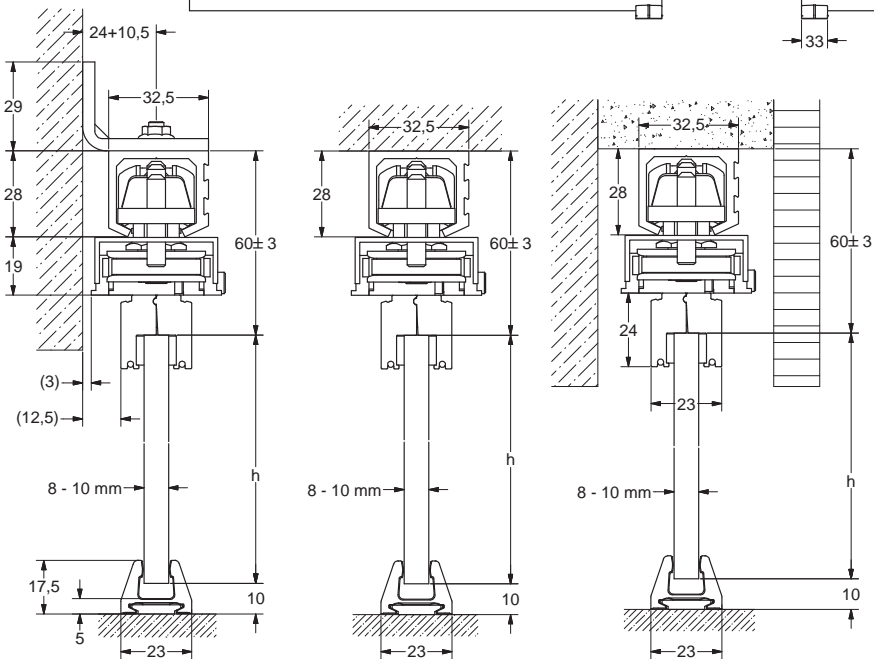
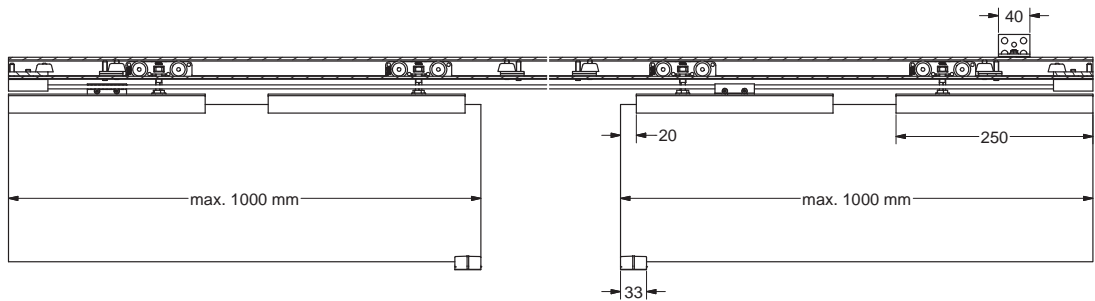
Catch system for toothed belts
281001-Sync



Fastening material



Section Drawing
Accessory Kit NEO 80 Wood Synchron



Section Drawing
Accessory Kit NEO 80 Glass Synchron