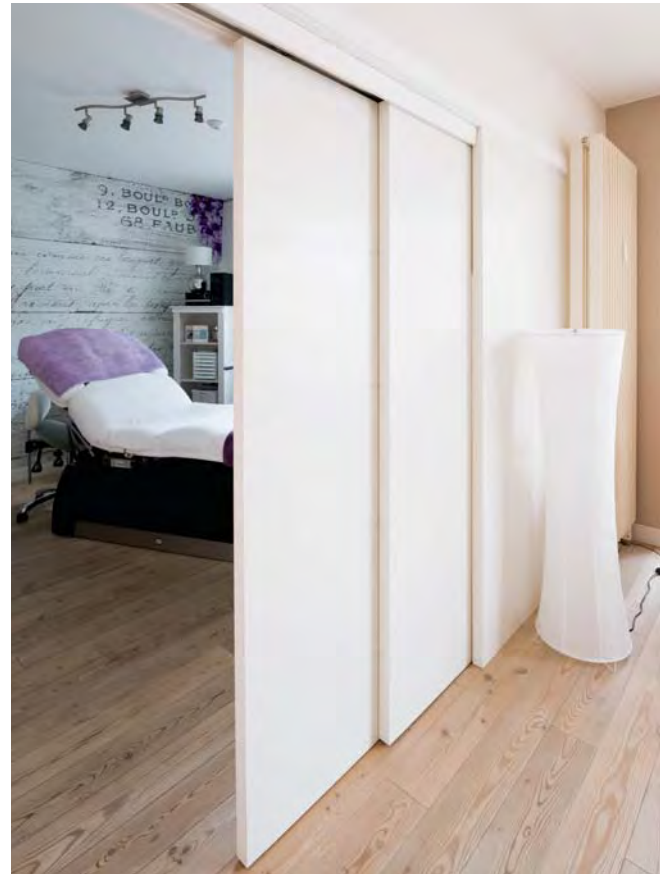


ALU 80 NEO

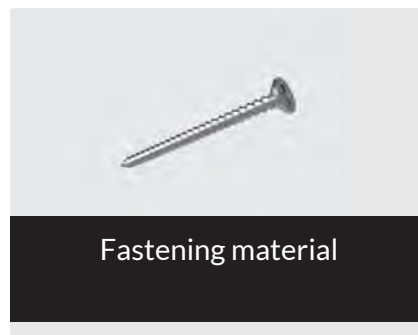
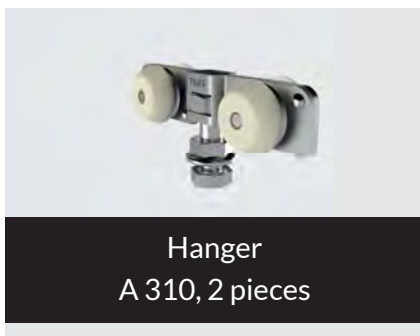
Optimized durability with a large range of accessories

- ✓ Versatile - large accessory assortment within a modular system
- ✓ Advanced track design - allows for easy upgrades like damping and can be adapted to individual requirements with optimized perforation.
- ✓ TIGER Track - chamfered treads guarantee centered tracking and promote self-cleaning
- ✓ Smooth - Precision ball bearings and quality nylon wheels
- ✓ Corrosion resistant components
- ✓ Robust and durable stopper with adjustable holding function
- ✓ Easy installation thanks to innovative product improvements and pre-assembled components
- ✓ Optional use of the Retrofit Track

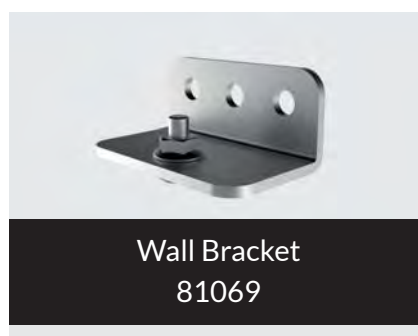




Boxed Set



Tracks and Brackets



Basic sets	Article Number
Boxed set + Track, pre-drilled, 1650 mm, incl. 4 Wall brackets	ALU80NEO-1650
Boxed set + Track, pre-drilled, 2000 mm, incl. 5 Wall brackets	ALU80NEO-2000
Boxed set + Track, pre-drilled, 2500 mm, incl. 6 Wall brackets	ALU80NEO-2500
Boxed set + Track, pre-drilled, 3000 mm, incl. 7 Wall brackets	ALU80NEO-3000

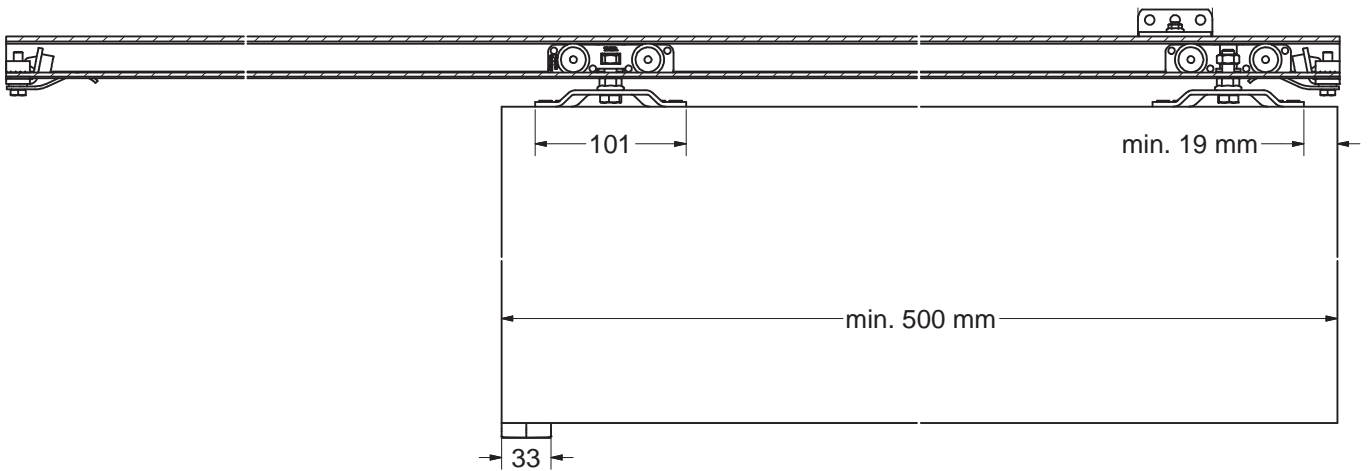
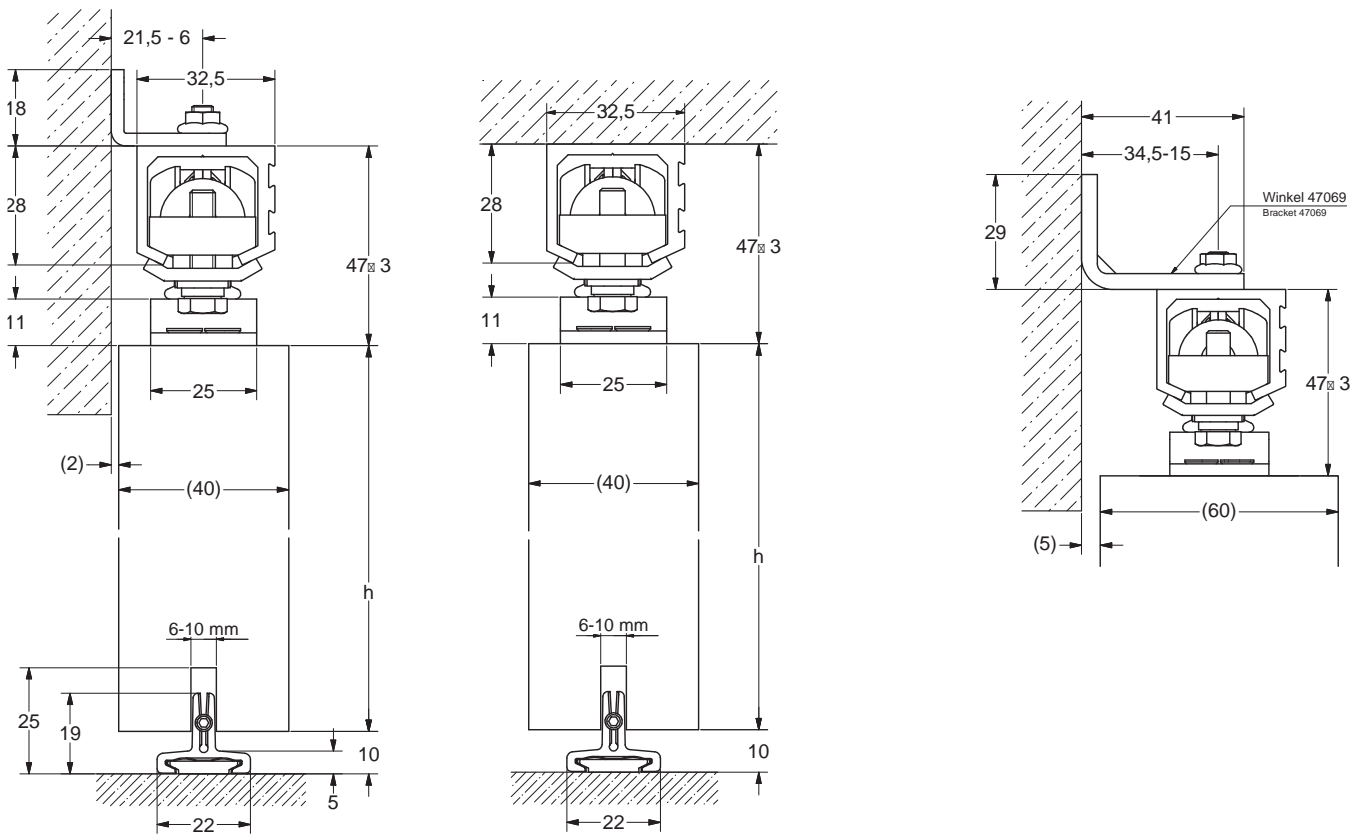
Boxed Sets/Individual Tracks	Article Number
Boxed Set ALU 80 NEO	ALU80NEO-14
Track T325, aluminium, Pre-drilled for wall and ceiling mount, 6000 mm	T325063D-6000
Optional Accessories: Wall brackets, 20 pieces	14 81039 VE20
Laterally adjustable wall bracket Door thickness from 25 to 60 mm	47069

Technical Notes

Maximum door weight	80 kg
Height	47 ±3 mm
Minimum door thickness	25 mm
Minimum door width	500 mm

Classification according to DIN EN 1527

Use Category	Durability	Door Weight	Fire Resistance	Safety	Corrosion Resistance	Security	Door Type	Initial Friction
-	6	2	0	-	0	-	1	3



Technical Documents

Installation instructions, technical drawings and further information for this product can be downloaded at www.tiger.de. You will also find news and general information about all TIGER products.