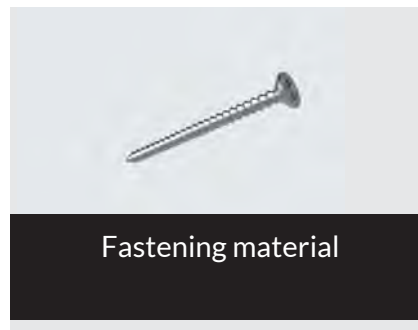


# ALU 100 NEO PRO Wood



Highly flexible sliding door hardware for wooden doors, sliding shutter and room dividers.  
The new generation of sliding door hardware, now available with fastening material.



## Technical Notes

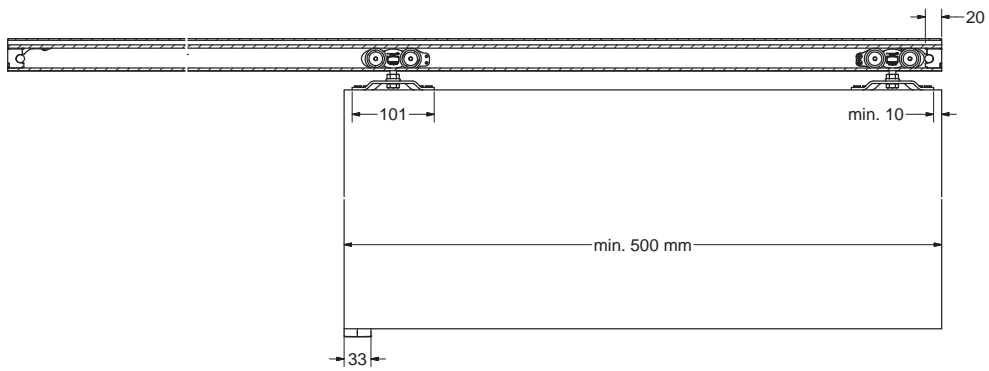
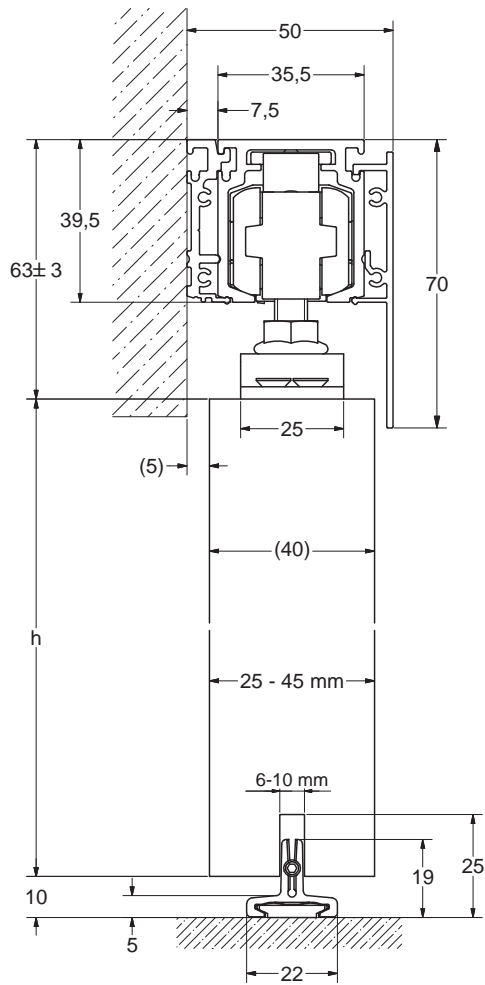
<b>Maximum Door Weight</b>	100 kg
<b>Height</b>	63 ± 3 mm
<b>Door Leaf Thickness</b>	25 - 45 mm
<b>Minimum Door Width</b>	500 mm

## Classification according to DIN EN 1527

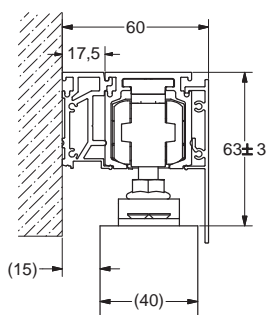
Use Category	Durability	Door Weight	Fire Resistance	Safety	Corrosion Resistance	Security	Door Type	Initial Friction
-	6	2	0	-	0	-	1	3



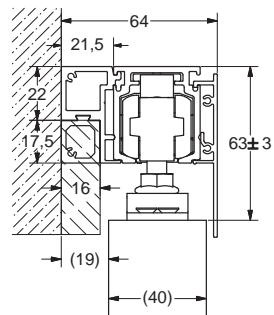
**W254 + T355 + B256**



**W255 + T355 + B256**



**W215 + T355 + B256**



**B256 + T355 + B256**

